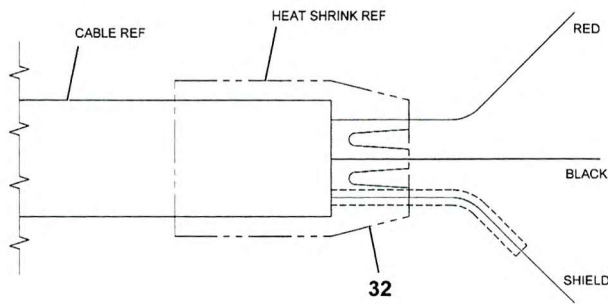
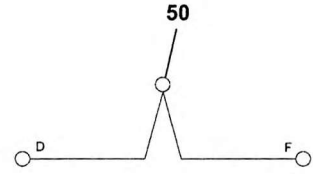


Manitowoc Crane Group

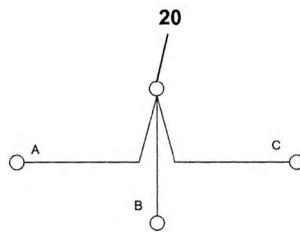


DETAIL AA

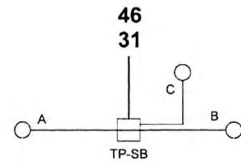
CABLE ENDS
TYP-BOTH ENDS



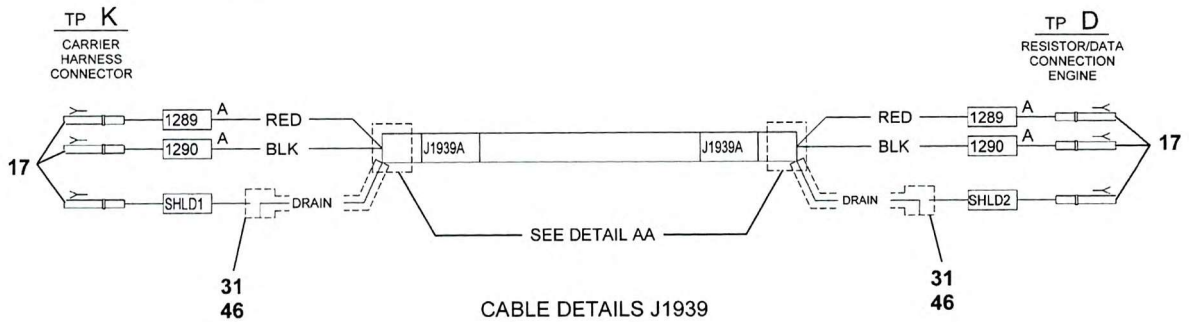
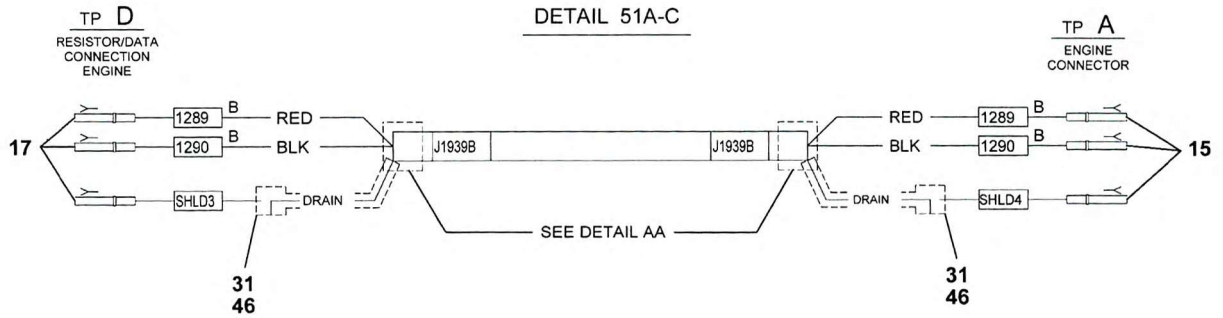
DETAIL 51D-F



DETAIL 51A-C



DETAIL 343



CABLE DETAILS J1939

WIRE NUMBER LABELS FOR USE ON CABLE ASSYS									
WIRE NO	CONDUCTOR COLOR	SAE SIZE	LENGTH TOT IN	CABLE ASSY	TP	REMARKS	TP	REMARKS	LABLES REQ'D
1289A	RED	10	5	J1939A	K	USE INSUL	D	USE INSUL	2
1289B	RED	10	5	J1939B	A	USE INSUL	D	USE INSUL	2
1290A	BLK	10	5	J1939A	K	USE INSUL	D	USE INSUL	2
1290B	BLK	10	5	J1939B	A	USE INSUL	D	USE INSUL	2

6512100819

(SHEET 2 OF 3)

